

All Threads X2:  
 Major  $\varnothing$ : 15  
 Minor  $\varnothing$ : 13  
 Length: 20  
 Pitch: 2  
 Angle: 60°  
 Rotation: Right Hand

$\varnothing 20 \text{ X}6$

$\varnothing 59,7$

**SIEMENS**

THIS DRAWING HAS BEEN PRODUCED USING AN EXAMPLE  
 TEMPLATE PROVIDED BY SIEMENS PLM SOFTWARE

FIRST ISSUED	Dec. 2, 2022
DRAWN BY	Jesse N.
CHECKED BY	
APPROVED BY	

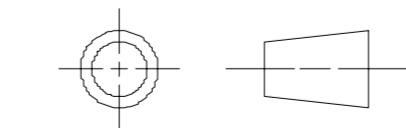
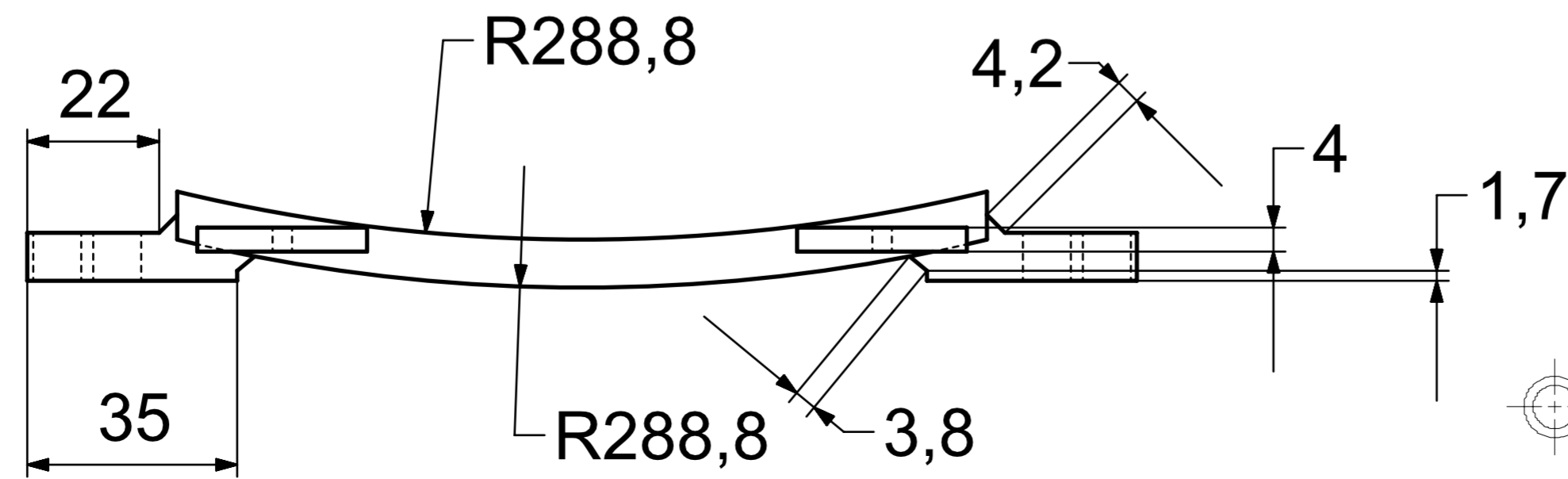
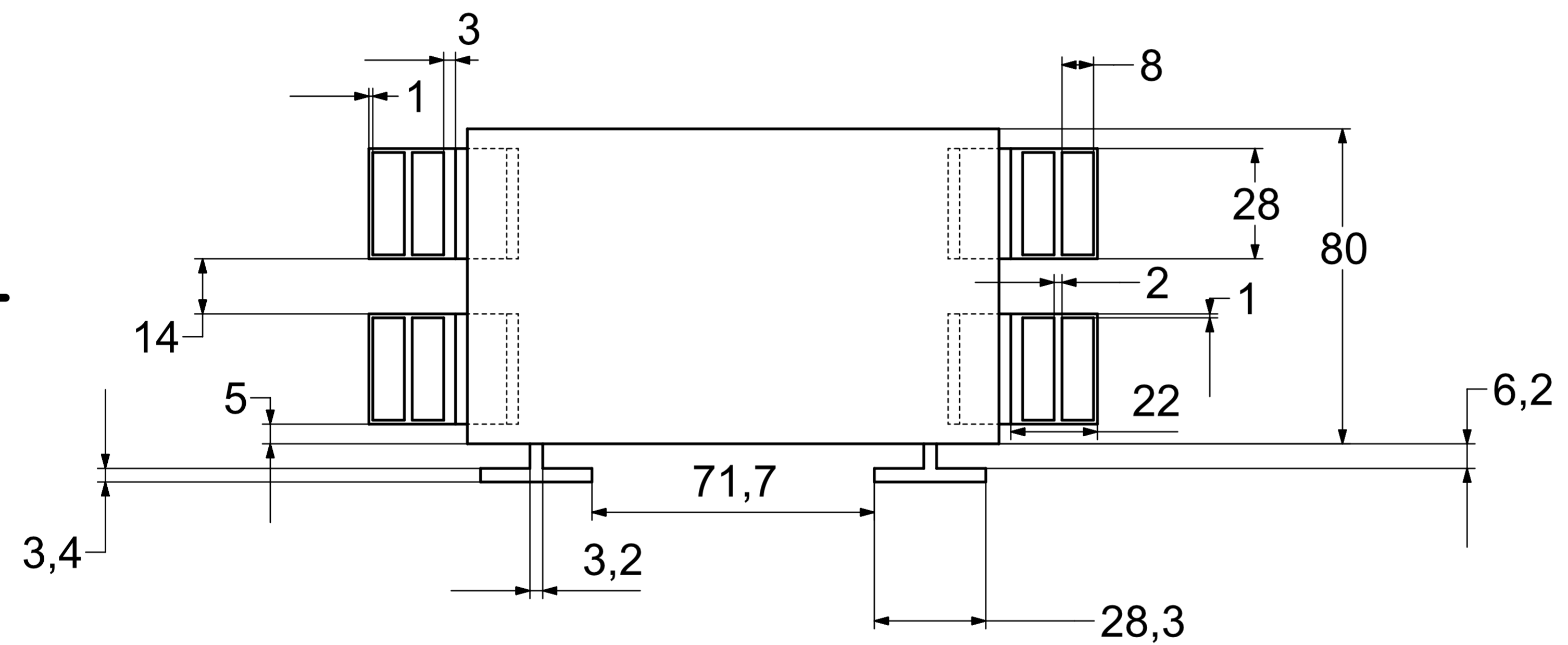
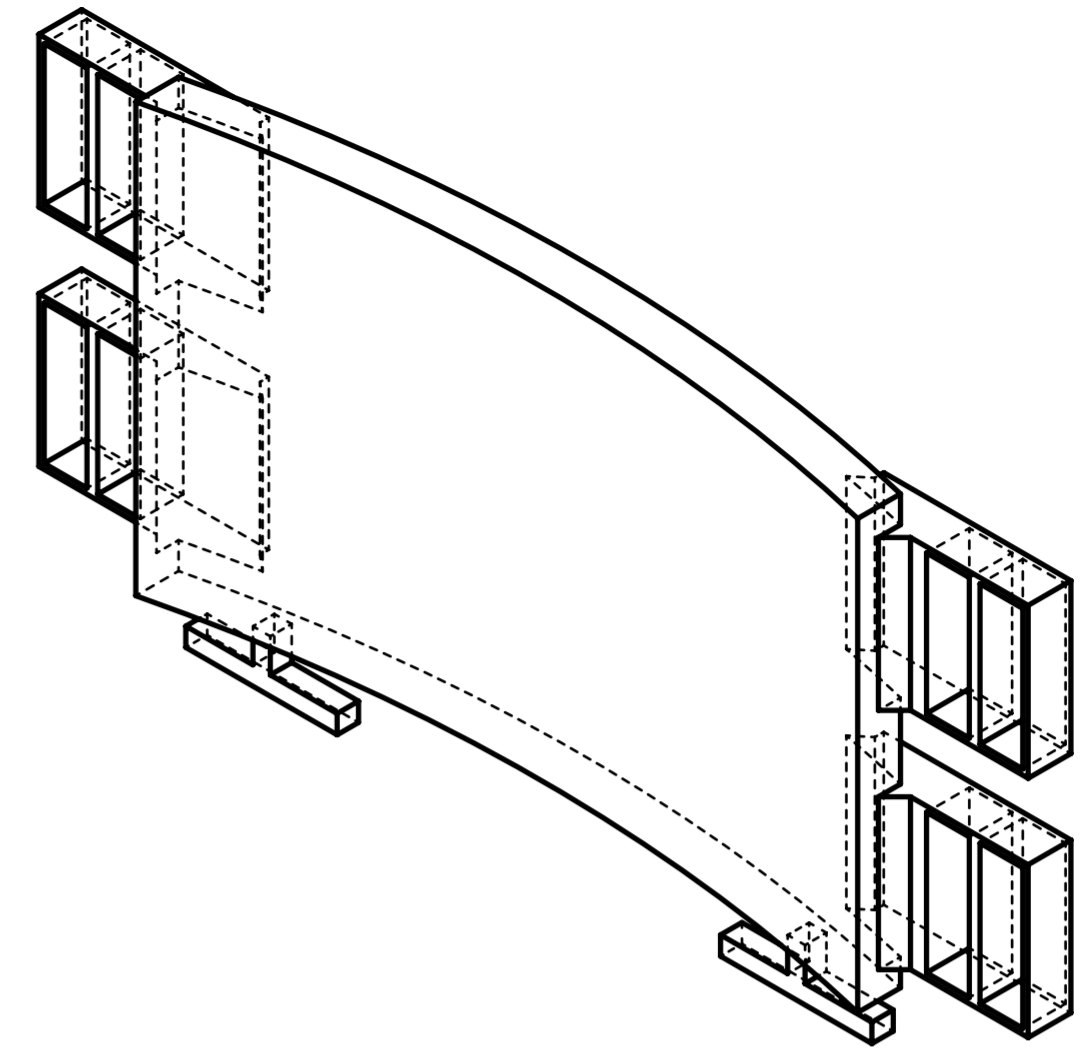
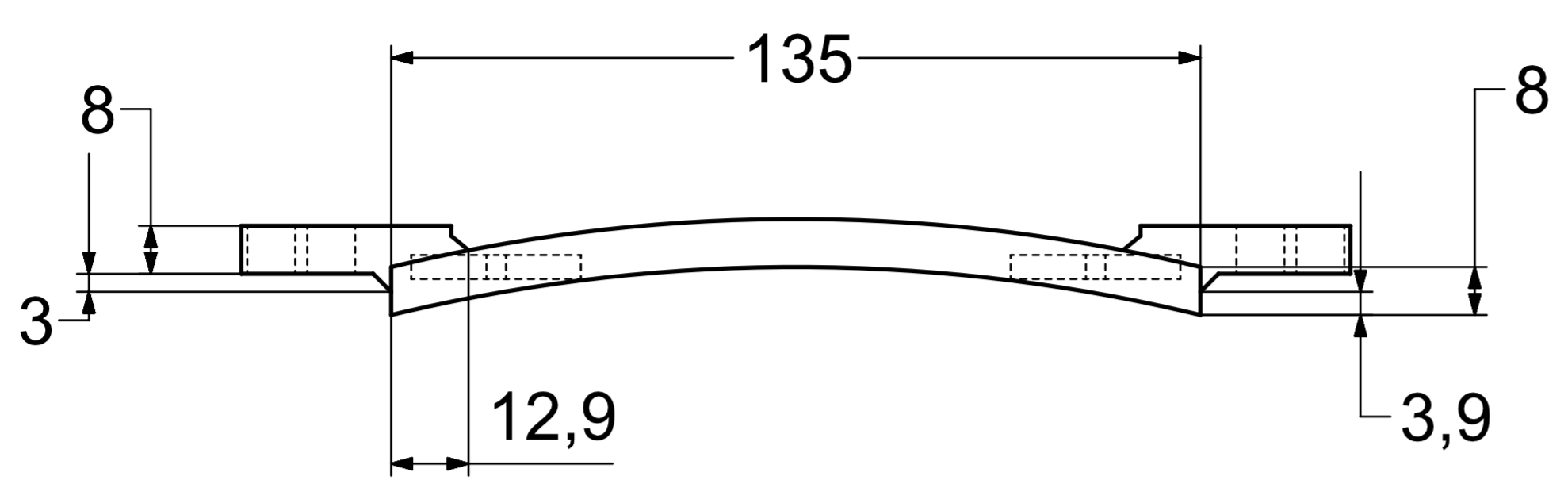
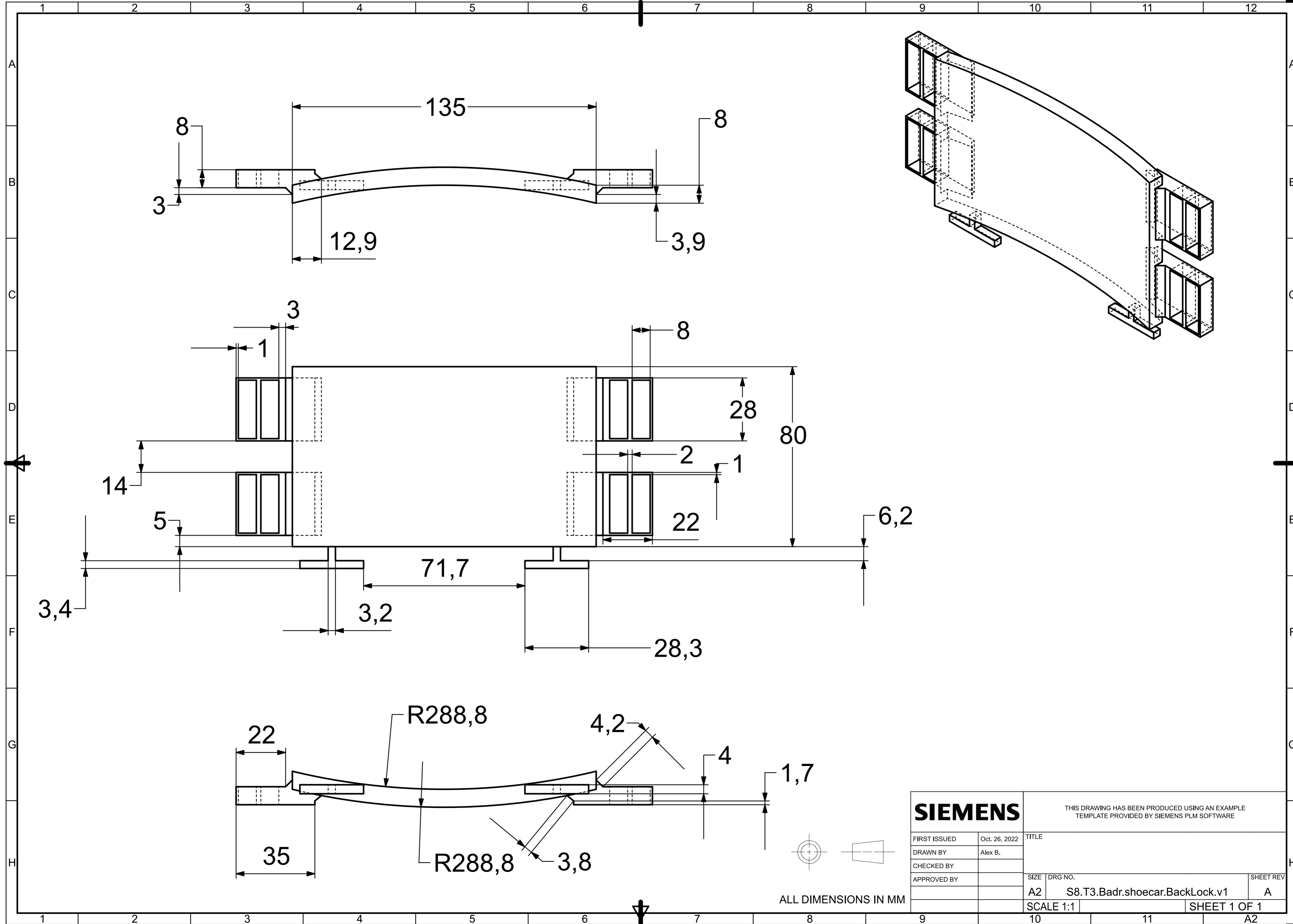
TITLE	
SIZE	DRG NO.
A2	S8.T3.Naser.shoecar.Platform.HalfB.v1
SHEET REV	A

ALL DIMENSIONS IN MM

SCALE 1:1 SHEET 1 OF 1

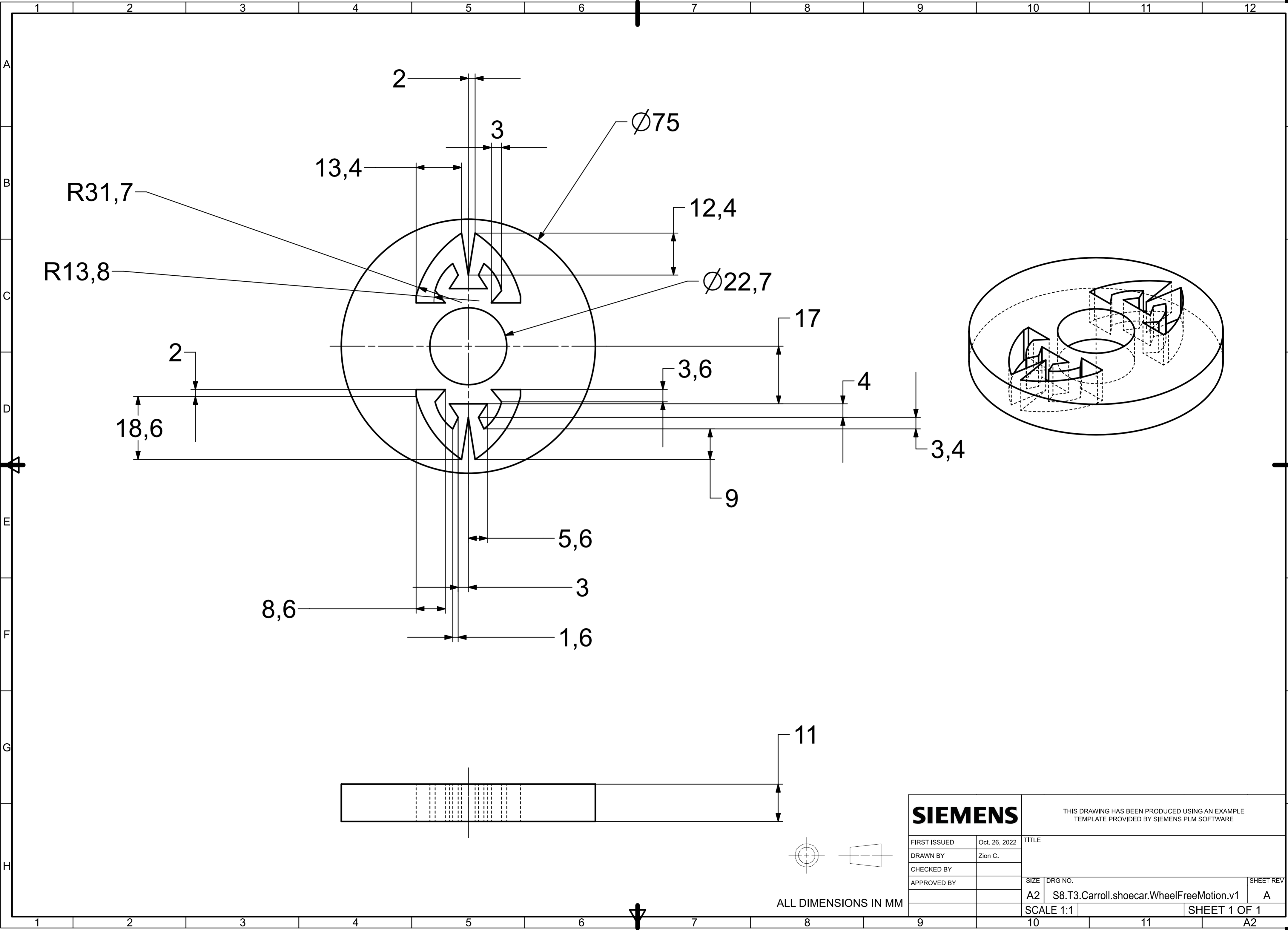






ALL DIMENSIONS IN MM

<b>SIEMENS</b>		THIS DRAWING HAS BEEN PRODUCED USING AN EXAMPLE TEMPLATE PROVIDED BY SIEMENS PLM SOFTWARE	
FIRST ISSUED	Oct. 26, 2022	TITLE	
DRAWN BY	Alex B.		
CHECKED BY			
APPROVED BY			
		SIZE	DRG NO.
		A2	S8.T3.Badr.shoecar.BackLock.v1
		SHEET REV	
		A	
SCALE 1:1		SHEET 1 OF 1	



<b>SIEMENS</b>		THIS DRAWING HAS BEEN PRODUCED USING AN EXAMPLE TEMPLATE PROVIDED BY SIEMENS PLM SOFTWARE	
FIRST ISSUED	Oct. 26, 2022	TITLE	
DRAWN BY	Zion C.	SHEET REV	
CHECKED BY		SIZE	DRG NO.
APPROVED BY		A2	S8.T3.Carroll.shoecar.WheelFreeMotion.v1
		SCALE 1:1	A
		SHEET 1 OF 1	

ALL DIMENSIONS IN MM

{Text Feature}

Text: "L..O....L" (. = space)

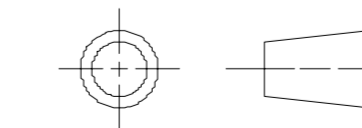
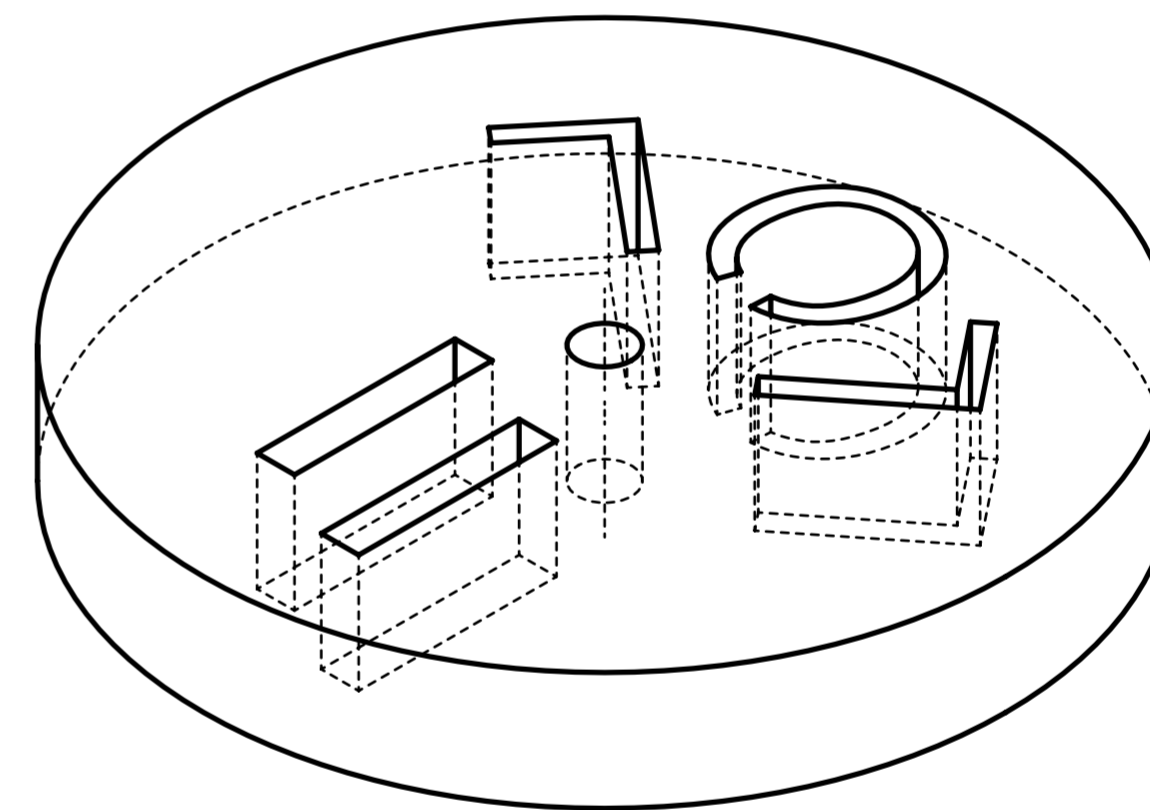
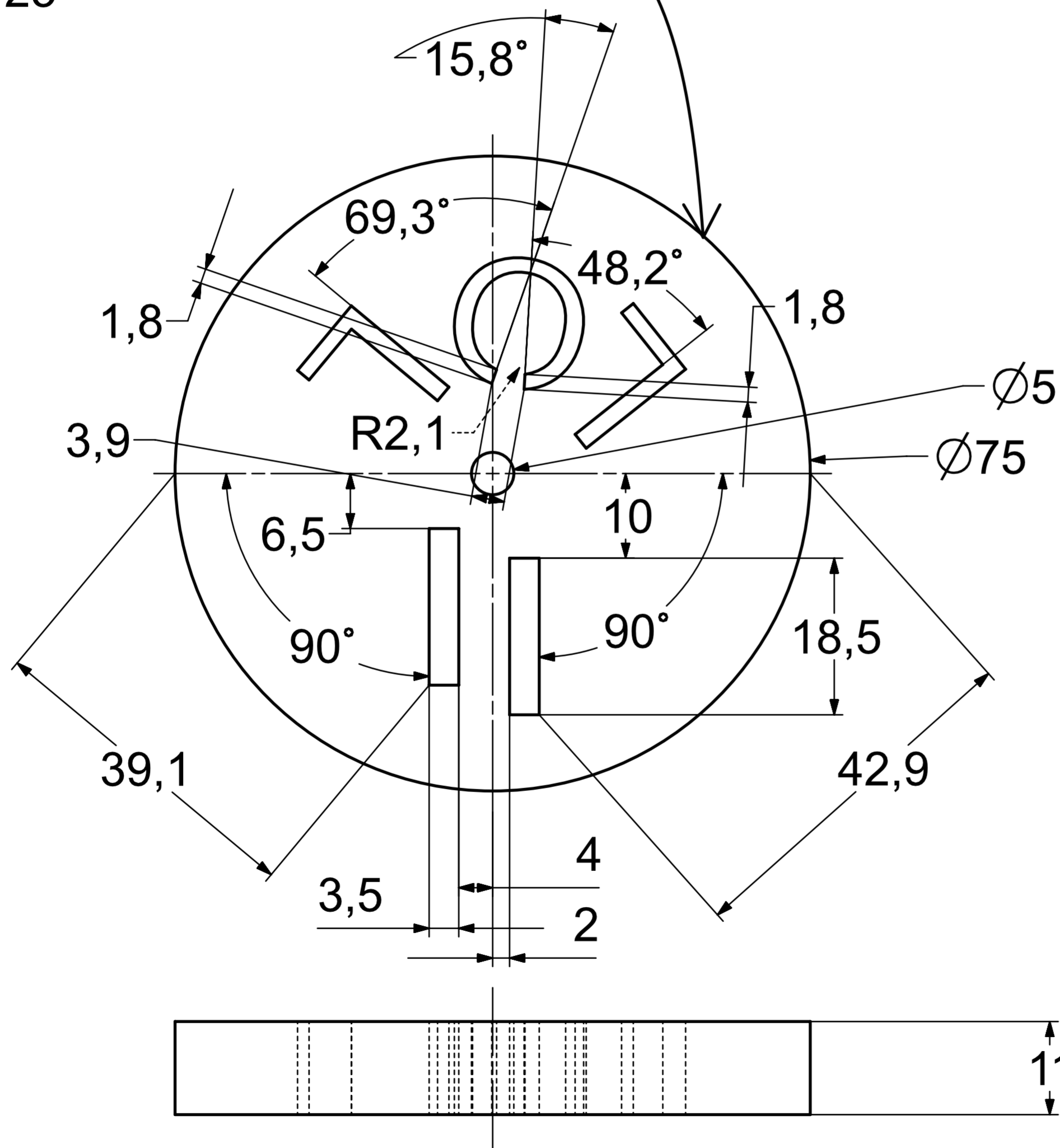
Placement Method: Curves on Faces

Curve:

Font: Arial [Western, Regular]

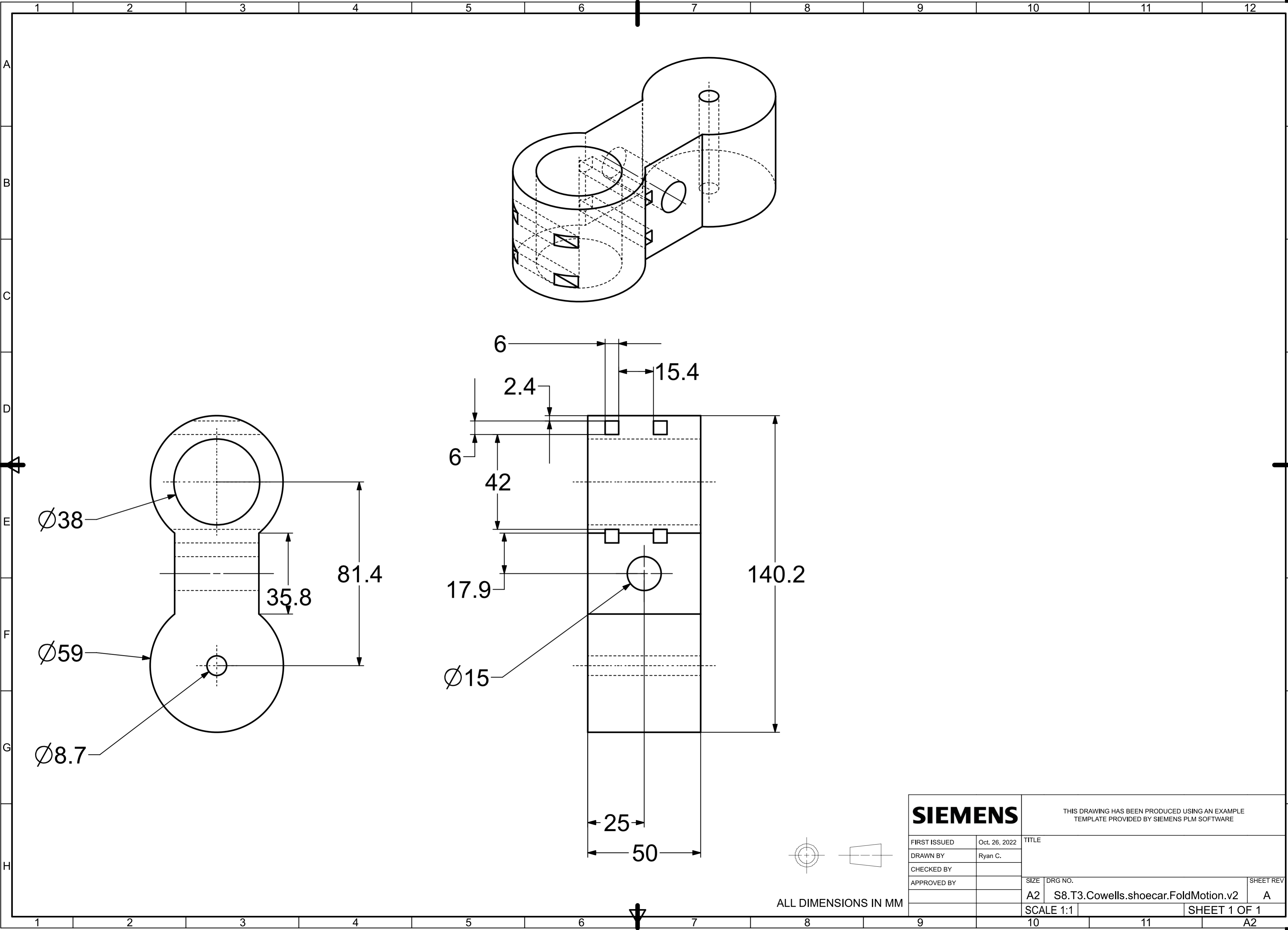
Anchor: Center

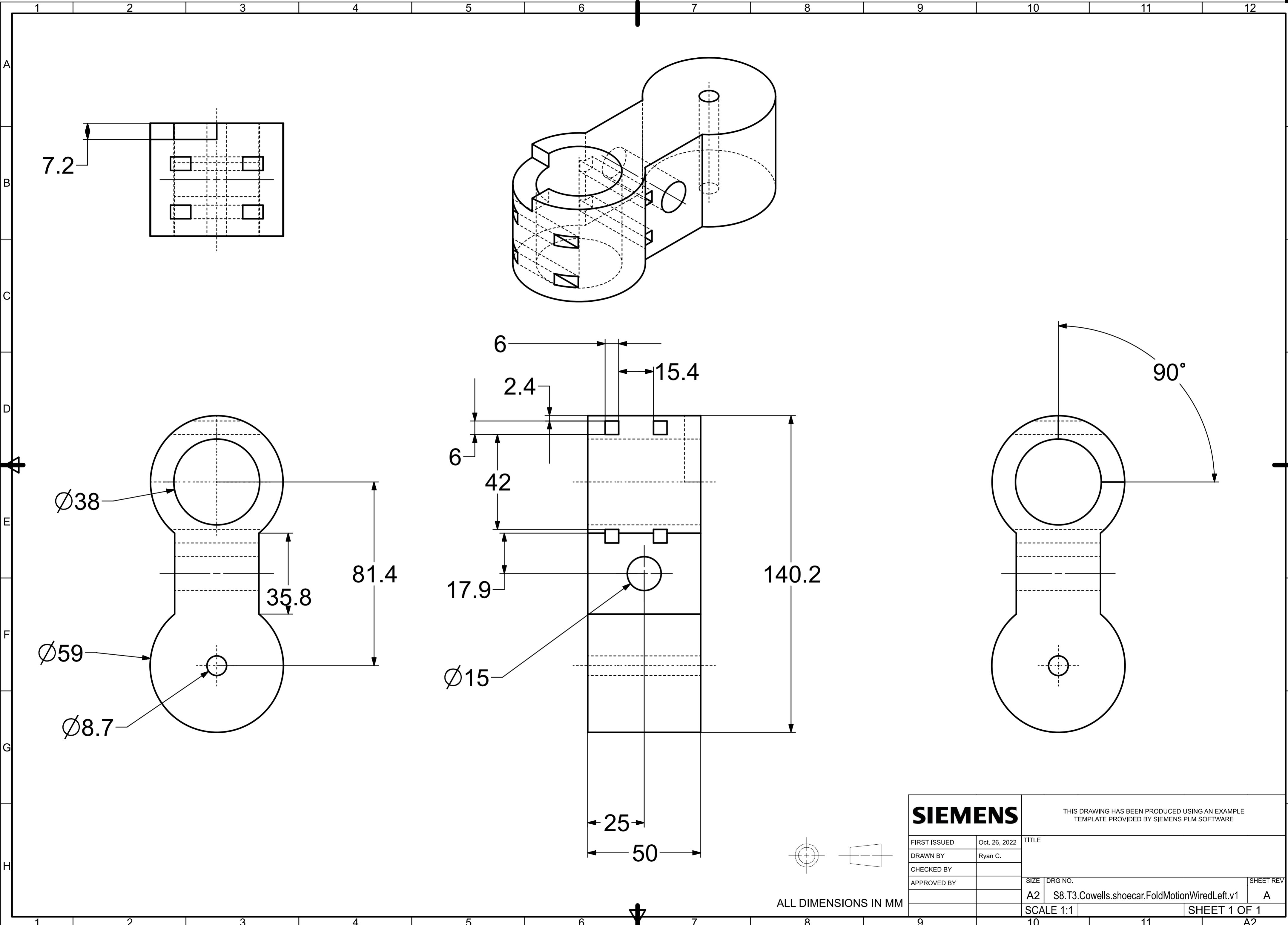
% Parameter: 25



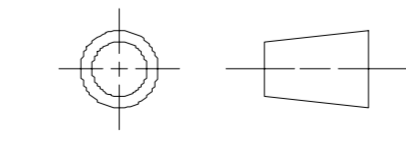
ALL DIMENSIONS IN MM

<b>SIEMENS</b>		THIS DRAWING HAS BEEN PRODUCED USING AN EXAMPLE TEMPLATE PROVIDED BY SIEMENS PLM SOFTWARE	
FIRST ISSUED	Oct. 26, 2022	TITLE	
DRAWN BY	Zion C.		
CHECKED BY			
APPROVED BY			
SIZE	DRG NO.	SHEET REV	
A2	S8.T3.Carroll.shoecar.WheelMotor.v1	A	
SCALE 1:1		SHEET 1 OF 1	



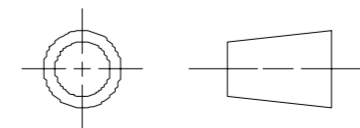
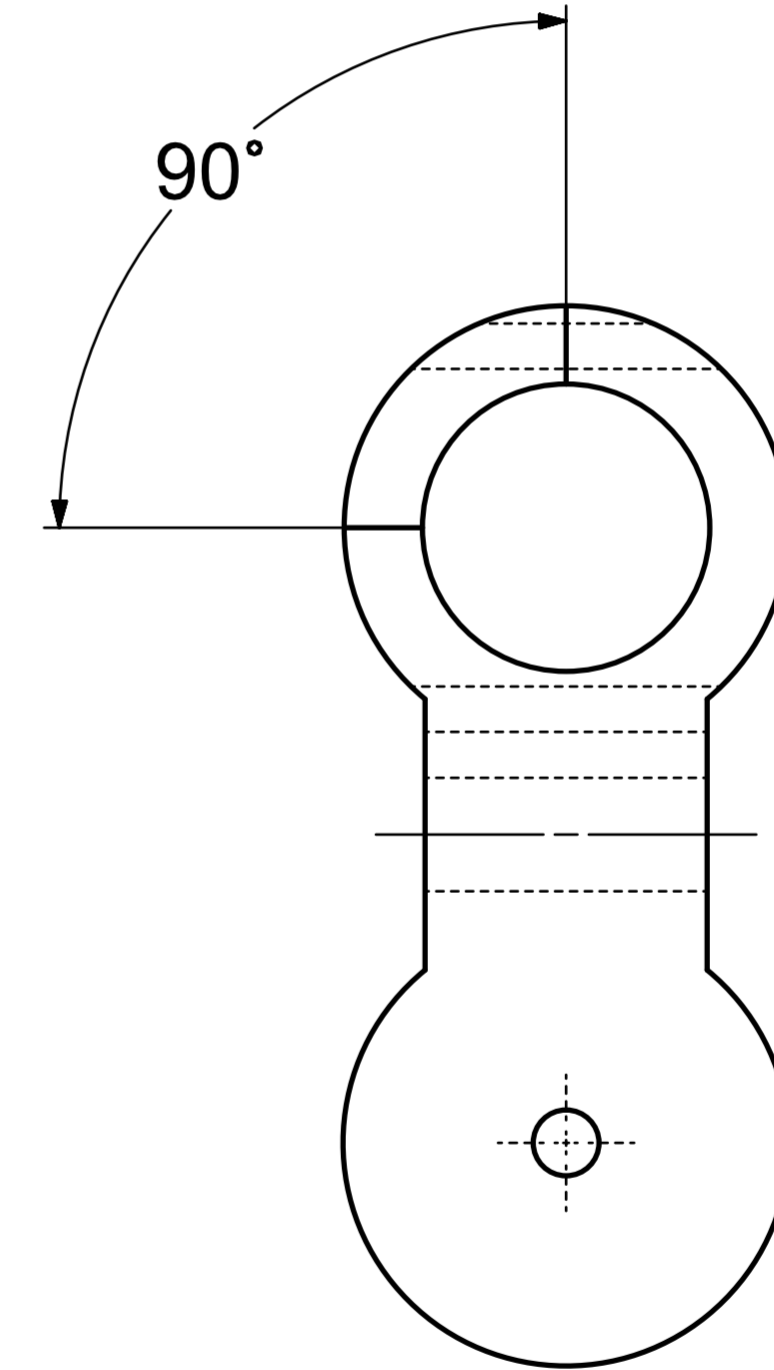
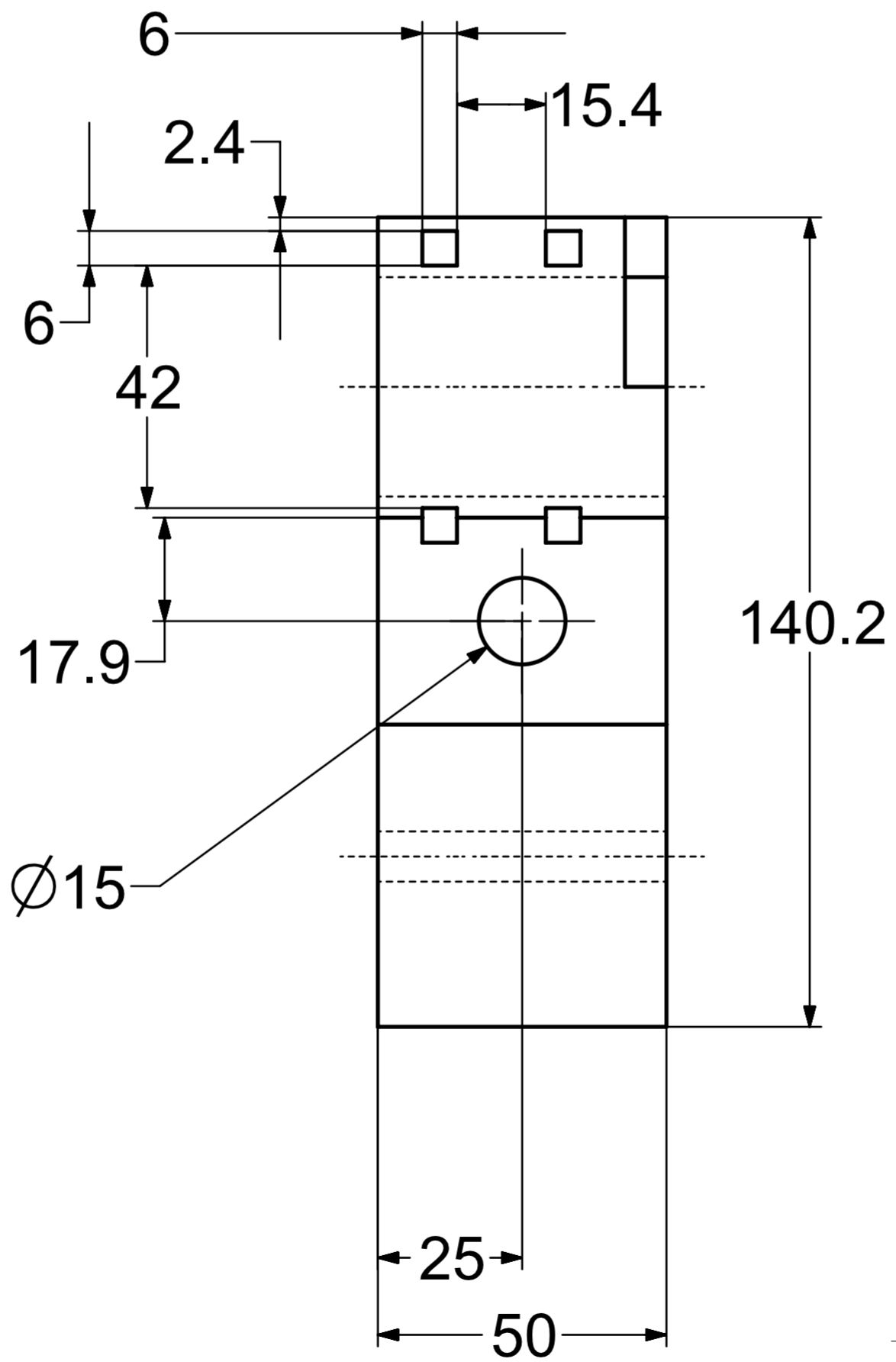
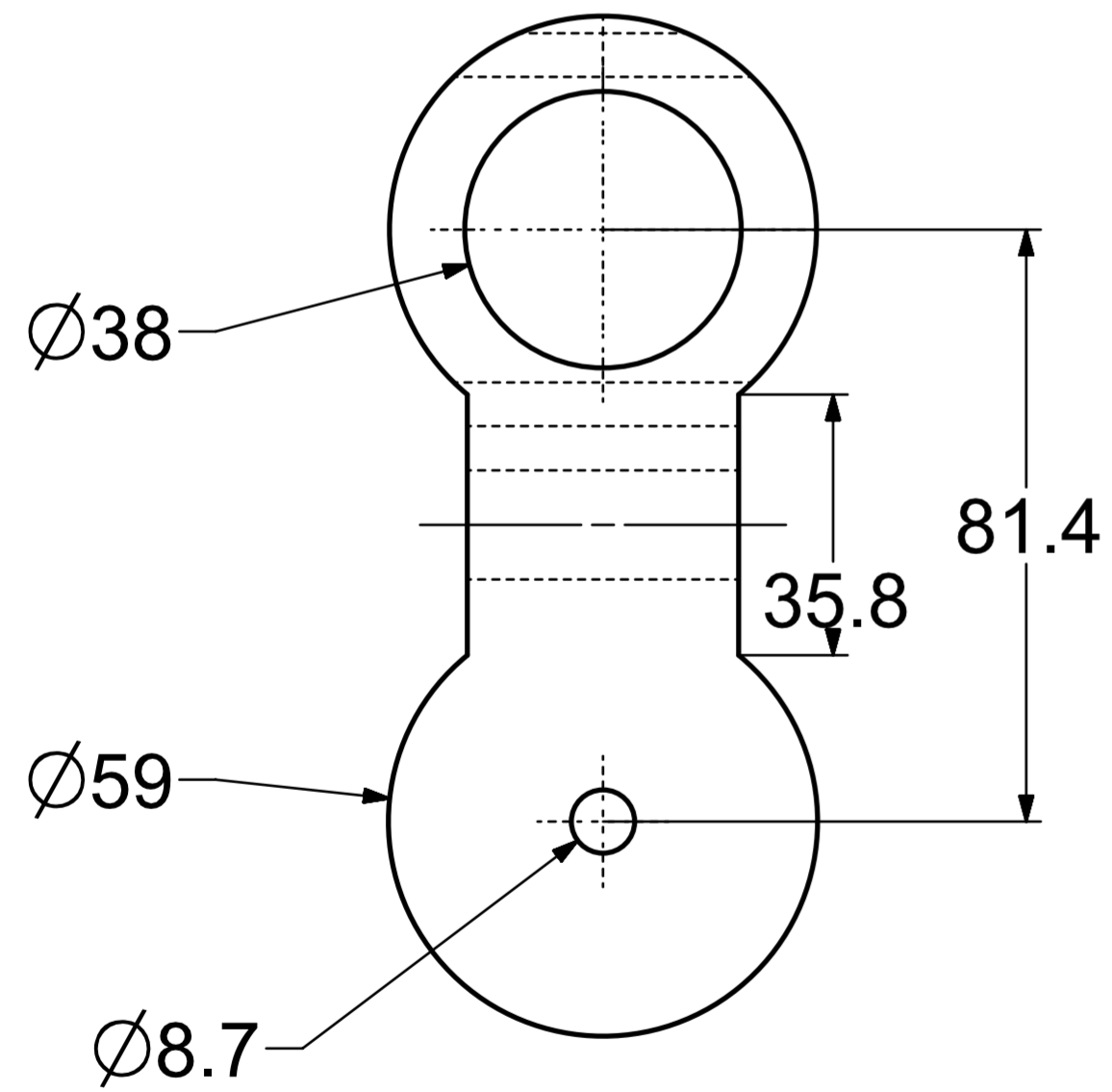
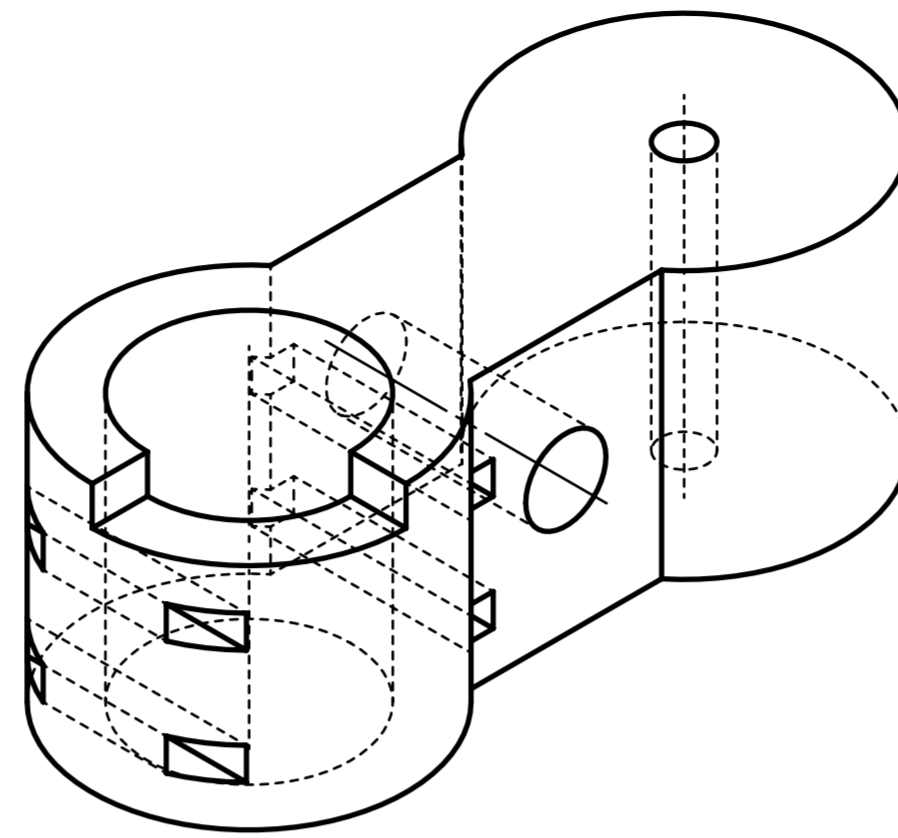
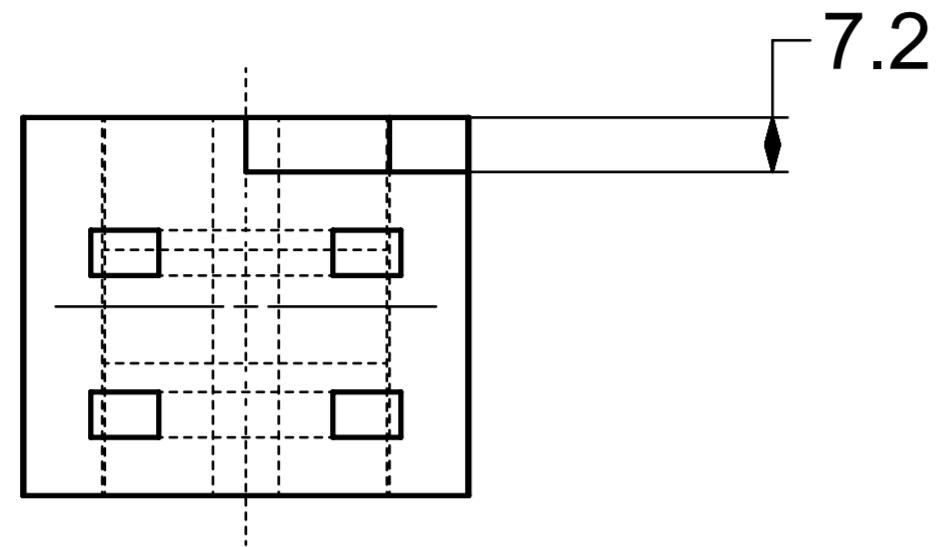


<b>SIEMENS</b>		THIS DRAWING HAS BEEN PRODUCED USING AN EXAMPLE TEMPLATE PROVIDED BY SIEMENS PLM SOFTWARE	
FIRST ISSUED	Oct. 26, 2022	TITLE	
DRAWN BY	Ryan C.		
CHECKED BY			
APPROVED BY			
SIZE	DRG NO.	SHEET REV	
A2	S8.T3.Cowells.shoecar.FoldMotionWiredLeft.v1	A	
SCALE 1:1		SHEET 1 OF 1	



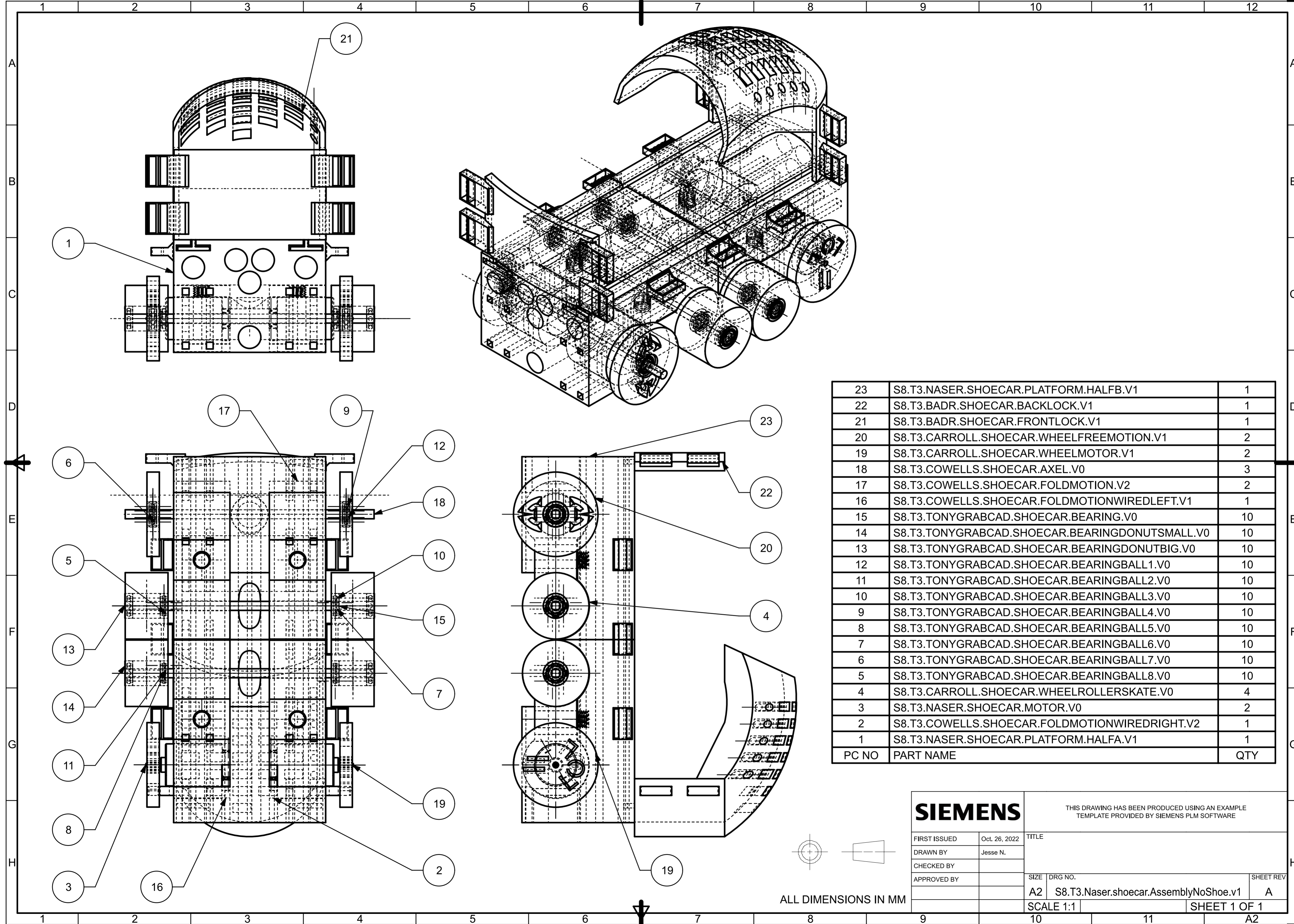
ALL DIMENSIONS IN MM





ALL DIMENSIONS IN MM

<b>SIEMENS</b>		THIS DRAWING HAS BEEN PRODUCED USING AN EXAMPLE TEMPLATE PROVIDED BY SIEMENS PLM SOFTWARE	
FIRST ISSUED	Oct. 26, 2022	TITLE	
DRAWN BY	Ryan C.		
CHECKED BY			
APPROVED BY			
SIZE	DRG NO.	SHEET REV	
A2	S8.T3.Cowells.shoecar.FoldMotionWiredRight.v2	A	
SCALE 1:1		SHEET 1 OF 1	



PC NO	PART NAME	QTY
23	S8.T3.NASER.SHOECAR.PLATFORM.HALFB.V1	1
22	S8.T3.BADR.SHOECAR.BACKLOCK.V1	1
21	S8.T3.BADR.SHOECAR.FRONTLOCK.V1	1
20	S8.T3.CARROLL.SHOECAR.WHEELFREEMOTION.V1	2
19	S8.T3.CARROLL.SHOECAR.WHEELMOTOR.V1	2
18	S8.T3.COWELLS.SHOECAR.AXEL.V0	3
17	S8.T3.COWELLS.SHOECAR.FOLDMOTION.V2	2
16	S8.T3.COWELLS.SHOECAR.FOLDMOTIONWIREDLEFT.V1	1
15	S8.T3.TONYGRABCAD.SHOECAR.BEARING.V0	10
14	S8.T3.TONYGRABCAD.SHOECAR.BEARINGDONUTSMALL.V0	10
13	S8.T3.TONYGRABCAD.SHOECAR.BEARINGDONUTBIG.V0	10
12	S8.T3.TONYGRABCAD.SHOECAR.BEARINGBALL1.V0	10
11	S8.T3.TONYGRABCAD.SHOECAR.BEARINGBALL2.V0	10
10	S8.T3.TONYGRABCAD.SHOECAR.BEARINGBALL3.V0	10
9	S8.T3.TONYGRABCAD.SHOECAR.BEARINGBALL4.V0	10
8	S8.T3.TONYGRABCAD.SHOECAR.BEARINGBALL5.V0	10
7	S8.T3.TONYGRABCAD.SHOECAR.BEARINGBALL6.V0	10
6	S8.T3.TONYGRABCAD.SHOECAR.BEARINGBALL7.V0	10
5	S8.T3.TONYGRABCAD.SHOECAR.BEARINGBALL8.V0	10
4	S8.T3.CARROLL.SHOECAR.WHEELROLLERSKATE.V0	4
3	S8.T3.NASER.SHOECAR.MOTOR.V0	2
2	S8.T3.COWELLS.SHOECAR.FOLDMOTIONWIREDRIGHT.V2	1
1	S8.T3.NASER.SHOECAR.PLATFORM.HALFA.V1	1

**SIEMENS**

THIS DRAWING HAS BEEN PRODUCED USING AN EXAMPLE TEMPLATE PROVIDED BY SIEMENS PLM SOFTWARE

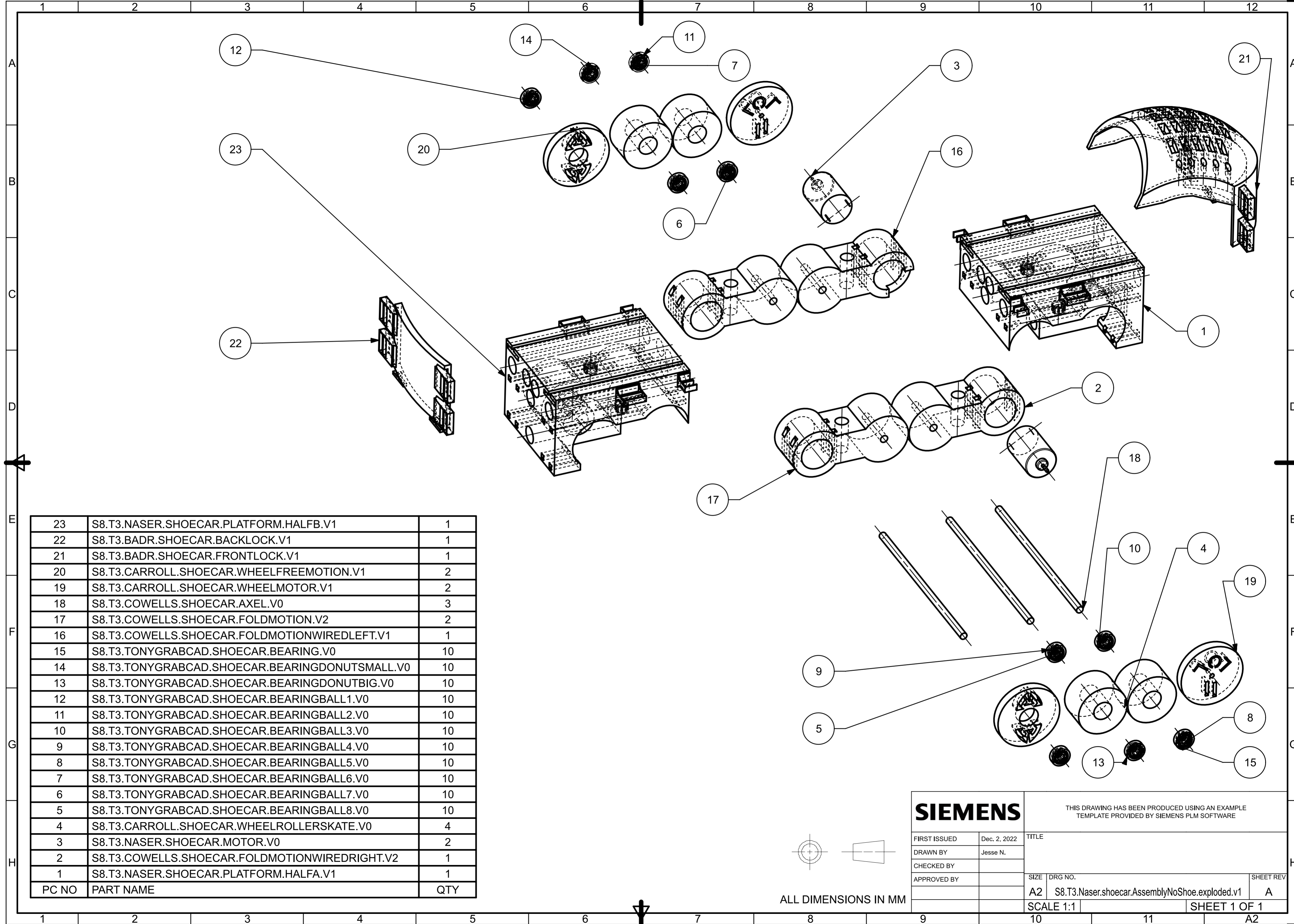
FIRST ISSUED	Oct. 26, 2022
DRAWN BY	Jesse N.
CHECKED BY	
APPROVED BY	

TITLE		
SIZE	DRG NO.	SHEET REV
A2	S8.T3.Naser.shoecar.AssemblyNoShoe.v1	A

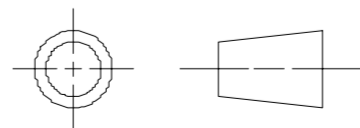
ALL DIMENSIONS IN MM

SCALE 1:1 SHEET 1 OF 1





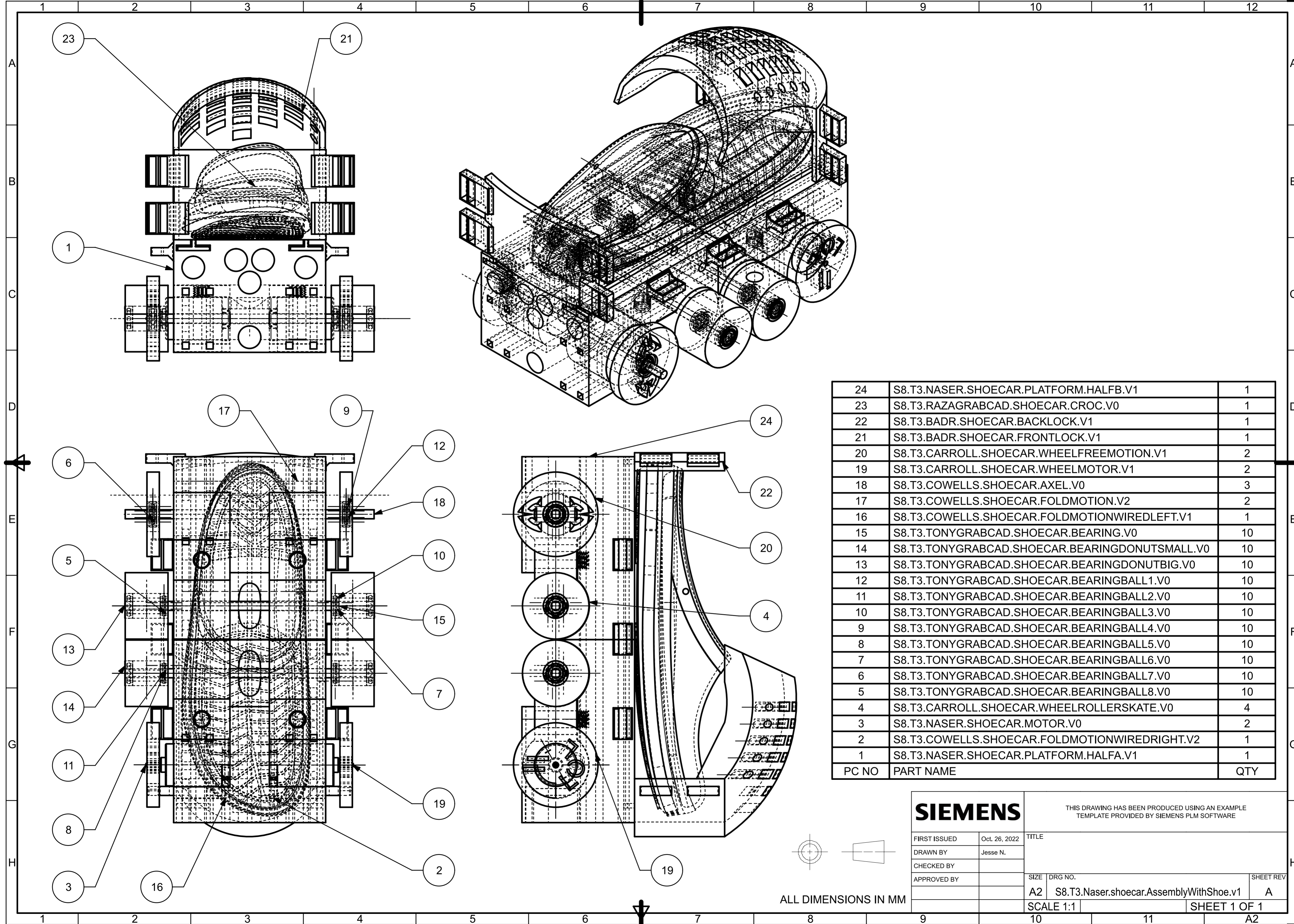
23	S8.T3.NASER.SHOECAR.PLATFORM.HALFB.V1	1
22	S8.T3.BADR.SHOECAR.BACKLOCK.V1	1
21	S8.T3.BADR.SHOECAR.FRONTLOCK.V1	1
20	S8.T3.CARROLL.SHOECAR.WHEELFREEMOTION.V1	2
19	S8.T3.CARROLL.SHOECAR.WHEELMOTOR.V1	2
18	S8.T3.COWELLS.SHOECAR.AXEL.V0	3
17	S8.T3.COWELLS.SHOECAR.FOLDMOTION.V2	2
16	S8.T3.COWELLS.SHOECAR.FOLDMOTIONWIREDLEFT.V1	1
15	S8.T3.TONYGRABCAD.SHOECAR.BEARING.V0	10
14	S8.T3.TONYGRABCAD.SHOECAR.BEARINGDONUTSMALL.V0	10
13	S8.T3.TONYGRABCAD.SHOECAR.BEARINGDONUTBIG.V0	10
12	S8.T3.TONYGRABCAD.SHOECAR.BEARINGBALL1.V0	10
11	S8.T3.TONYGRABCAD.SHOECAR.BEARINGBALL2.V0	10
10	S8.T3.TONYGRABCAD.SHOECAR.BEARINGBALL3.V0	10
9	S8.T3.TONYGRABCAD.SHOECAR.BEARINGBALL4.V0	10
8	S8.T3.TONYGRABCAD.SHOECAR.BEARINGBALL5.V0	10
7	S8.T3.TONYGRABCAD.SHOECAR.BEARINGBALL6.V0	10
6	S8.T3.TONYGRABCAD.SHOECAR.BEARINGBALL7.V0	10
5	S8.T3.TONYGRABCAD.SHOECAR.BEARINGBALL8.V0	10
4	S8.T3.CARROLL.SHOECAR.WHEELROLLERSKATE.V0	4
3	S8.T3.NASER.SHOECAR.MOTOR.V0	2
2	S8.T3.COWELLS.SHOECAR.FOLDMOTIONWIREDRIGHT.V2	1
1	S8.T3.NASER.SHOECAR.PLATFORM.HALFA.V1	1
PC NO	PART NAME	QTY



ALL DIMENSIONS IN MM

<b>SIEMENS</b>		THIS DRAWING HAS BEEN PRODUCED USING AN EXAMPLE TEMPLATE PROVIDED BY SIEMENS PLM SOFTWARE	
FIRST ISSUED	Dec. 2, 2022	TITLE	
DRAWN BY	Jesse N.		
CHECKED BY			
APPROVED BY			
		SIZE	DRG NO.
		A2	S8.T3.Naser.shoecar.AssemblyNoShoe.exploded.v1
		SHEET REV A	
		SCALE 1:1	SHEET 1 OF 1





PC NO	PART NAME	QTY
24	S8.T3.NASER.SHOECAR.PLATFORM.HALFB.V1	1
23	S8.T3.RAZAGRBCAD.SHOECAR.CROC.V0	1
22	S8.T3.BADR.SHOECAR.BACKLOCK.V1	1
21	S8.T3.BADR.SHOECAR.FRONTLOCK.V1	1
20	S8.T3.CARROLL.SHOECAR.WHEELFREEMOTION.V1	2
19	S8.T3.CARROLL.SHOECAR.WHEELMOTOR.V1	2
18	S8.T3.COWELLS.SHOECAR.AXEL.V0	3
17	S8.T3.COWELLS.SHOECAR.FOLDMOTION.V2	2
16	S8.T3.COWELLS.SHOECAR.FOLDMOTIONWIREDLEFT.V1	1
15	S8.T3.TONYGRBCAD.SHOECAR.BEARING.V0	10
14	S8.T3.TONYGRBCAD.SHOECAR.BEARINGDONUTSMALL.V0	10
13	S8.T3.TONYGRBCAD.SHOECAR.BEARINGDONUTBIG.V0	10
12	S8.T3.TONYGRBCAD.SHOECAR.BEARINGBALL1.V0	10
11	S8.T3.TONYGRBCAD.SHOECAR.BEARINGBALL2.V0	10
10	S8.T3.TONYGRBCAD.SHOECAR.BEARINGBALL3.V0	10
9	S8.T3.TONYGRBCAD.SHOECAR.BEARINGBALL4.V0	10
8	S8.T3.TONYGRBCAD.SHOECAR.BEARINGBALL5.V0	10
7	S8.T3.TONYGRBCAD.SHOECAR.BEARINGBALL6.V0	10
6	S8.T3.TONYGRBCAD.SHOECAR.BEARINGBALL7.V0	10
5	S8.T3.TONYGRBCAD.SHOECAR.BEARINGBALL8.V0	10
4	S8.T3.CARROLL.SHOECAR.WHEELROLLERSKATE.V0	4
3	S8.T3.NASER.SHOECAR.MOTOR.V0	2
2	S8.T3.COWELLS.SHOECAR.FOLDMOTIONWIREDRIGHT.V2	1
1	S8.T3.NASER.SHOECAR.PLATFORM.HALFA.V1	1

**SIEMENS**

THIS DRAWING HAS BEEN PRODUCED USING AN EXAMPLE TEMPLATE PROVIDED BY SIEMENS PLM SOFTWARE

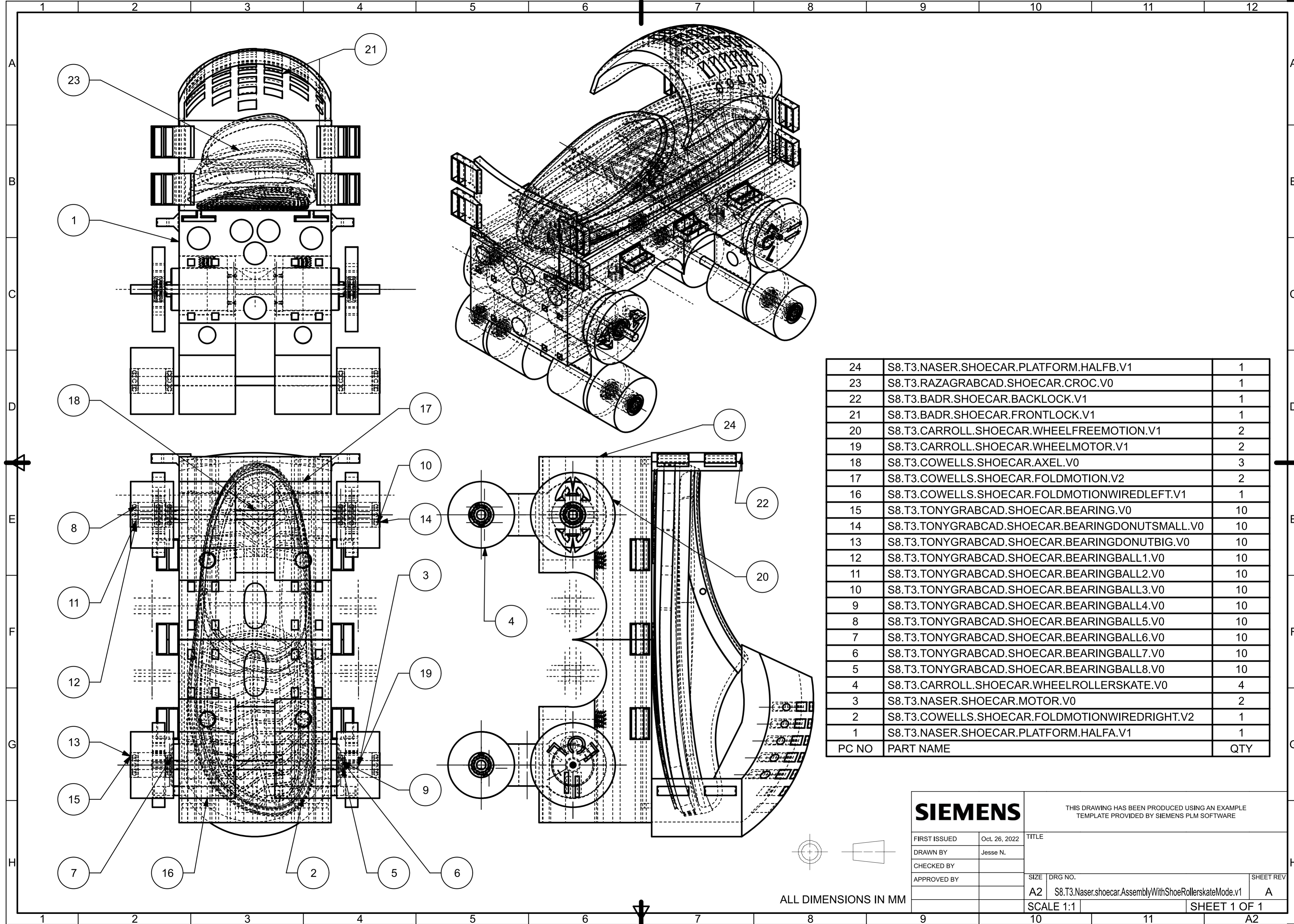
FIRST ISSUED	Oct. 26, 2022
DRAWN BY	Jesse N.
CHECKED BY	
APPROVED BY	

TITLE		
SIZE	DRG NO.	SHEET REV
A2	S8.T3.Naser.shoecar.AssemblyWithShoe.v1	A

ALL DIMENSIONS IN MM

SCALE 1:1 SHEET 1 OF 1





24	S8.T3.NASER.SHOECAR.PLATFORM.HALFB.V1	1
23	S8.T3.RAZAGRABCAD.SHOECAR.CROC.V0	1
22	S8.T3.BADR.SHOECAR.BACKLOCK.V1	1
21	S8.T3.BADR.SHOECAR.FRONTLOCK.V1	1
20	S8.T3.CARROLL.SHOECAR.WHEELFREEMOTION.V1	2
19	S8.T3.CARROLL.SHOECAR.WHEELMOTOR.V1	2
18	S8.T3.COWELLS.SHOECAR.AXEL.V0	3
17	S8.T3.COWELLS.SHOECAR.FOLDMOTION.V2	2
16	S8.T3.COWELLS.SHOECAR.FOLDMOTIONWIREDLEFT.V1	1
15	S8.T3.TONYGRABCAD.SHOECAR.BEARING.V0	10
14	S8.T3.TONYGRABCAD.SHOECAR.BEARINGDONUTSMALL.V0	10
13	S8.T3.TONYGRABCAD.SHOECAR.BEARINGDONUTBIG.V0	10
12	S8.T3.TONYGRABCAD.SHOECAR.BEARINGBALL1.V0	10
11	S8.T3.TONYGRABCAD.SHOECAR.BEARINGBALL2.V0	10
10	S8.T3.TONYGRABCAD.SHOECAR.BEARINGBALL3.V0	10
9	S8.T3.TONYGRABCAD.SHOECAR.BEARINGBALL4.V0	10
8	S8.T3.TONYGRABCAD.SHOECAR.BEARINGBALL5.V0	10
7	S8.T3.TONYGRABCAD.SHOECAR.BEARINGBALL6.V0	10
6	S8.T3.TONYGRABCAD.SHOECAR.BEARINGBALL7.V0	10
5	S8.T3.TONYGRABCAD.SHOECAR.BEARINGBALL8.V0	10
4	S8.T3.CARROLL.SHOECAR.WHEELROLLERSKATE.V0	4
3	S8.T3.NASER.SHOECAR.MOTOR.V0	2
2	S8.T3.COWELLS.SHOECAR.FOLDMOTIONWIREDRIGHT.V2	1
1	S8.T3.NASER.SHOECAR.PLATFORM.HALFA.V1	1
PC NO	PART NAME	QTY

**SIEMENS**

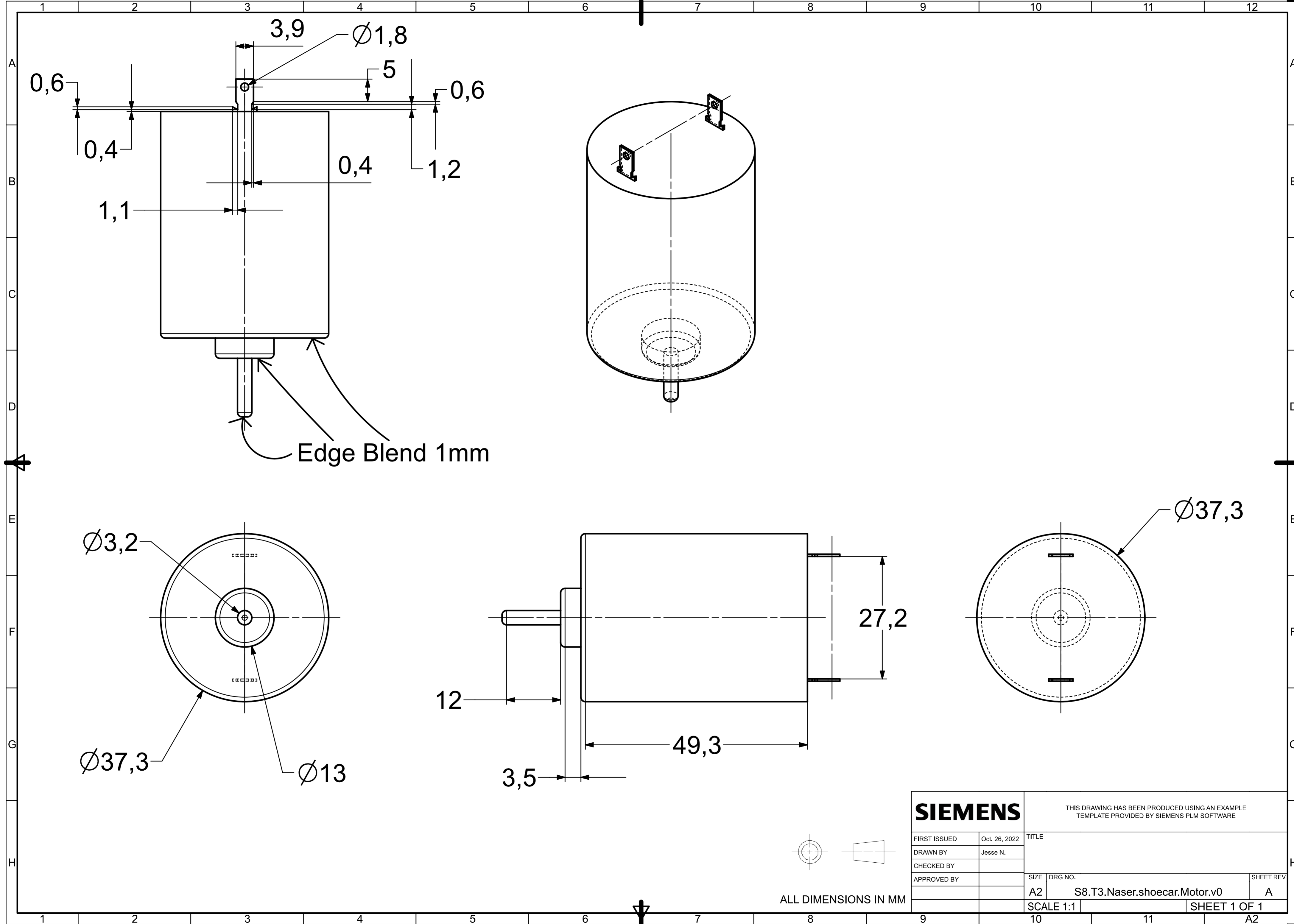
THIS DRAWING HAS BEEN PRODUCED USING AN EXAMPLE TEMPLATE PROVIDED BY SIEMENS PLM SOFTWARE

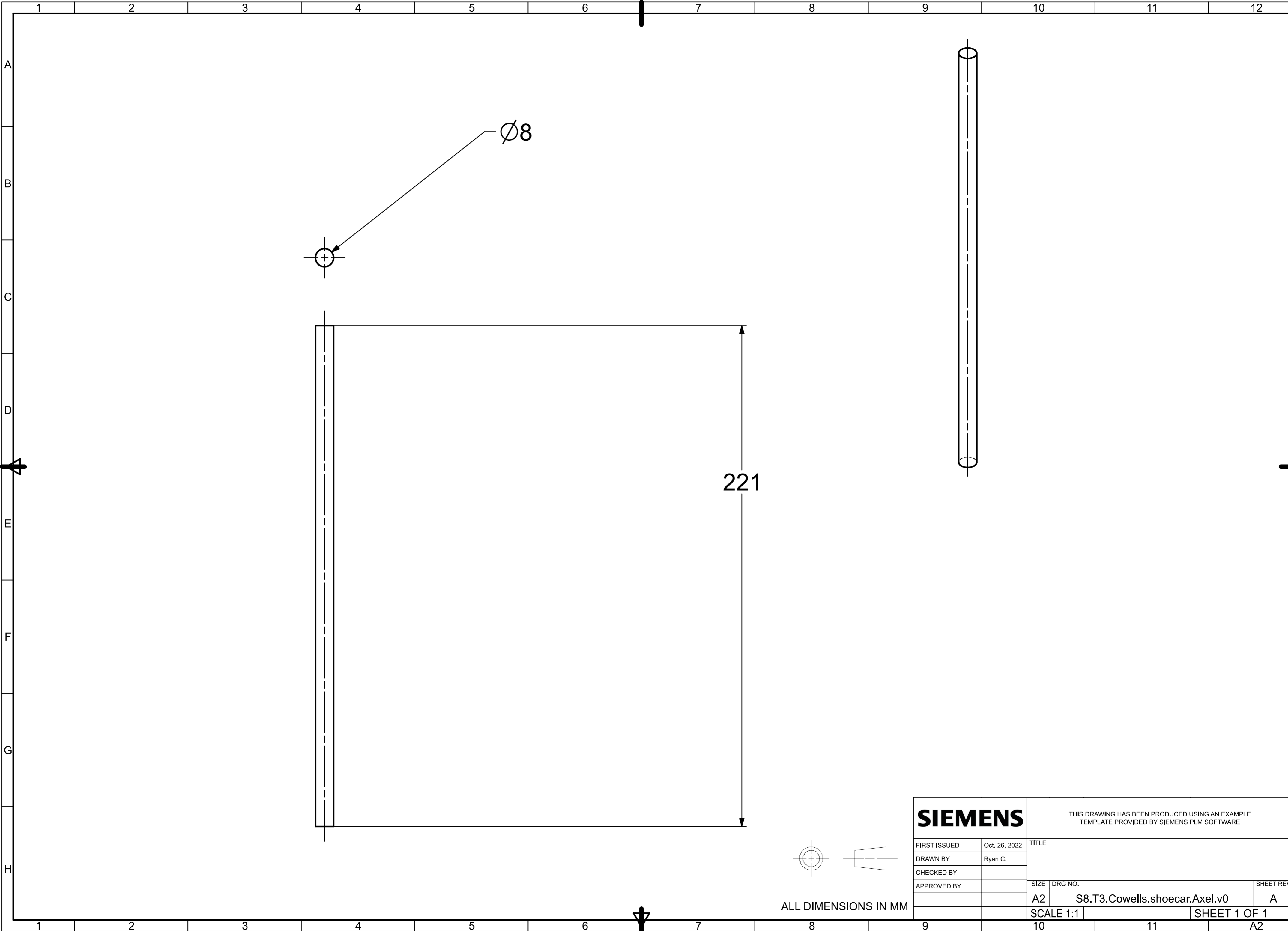
FIRST ISSUED Oct. 26, 2022  
 DRAWN BY Jesse N.  
 CHECKED BY  
 APPROVED BY

TITLE  
 SIZE DRG NO. SHEET REV  
 A2 S8.T3.Naser.shoecar.AssemblyWithShoeRollerskateMode.v1 A

ALL DIMENSIONS IN MM

SCALE 1:1 SHEET 1 OF 1





Ø8

221

**SIEMENS**

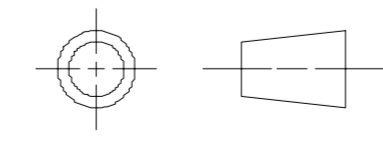
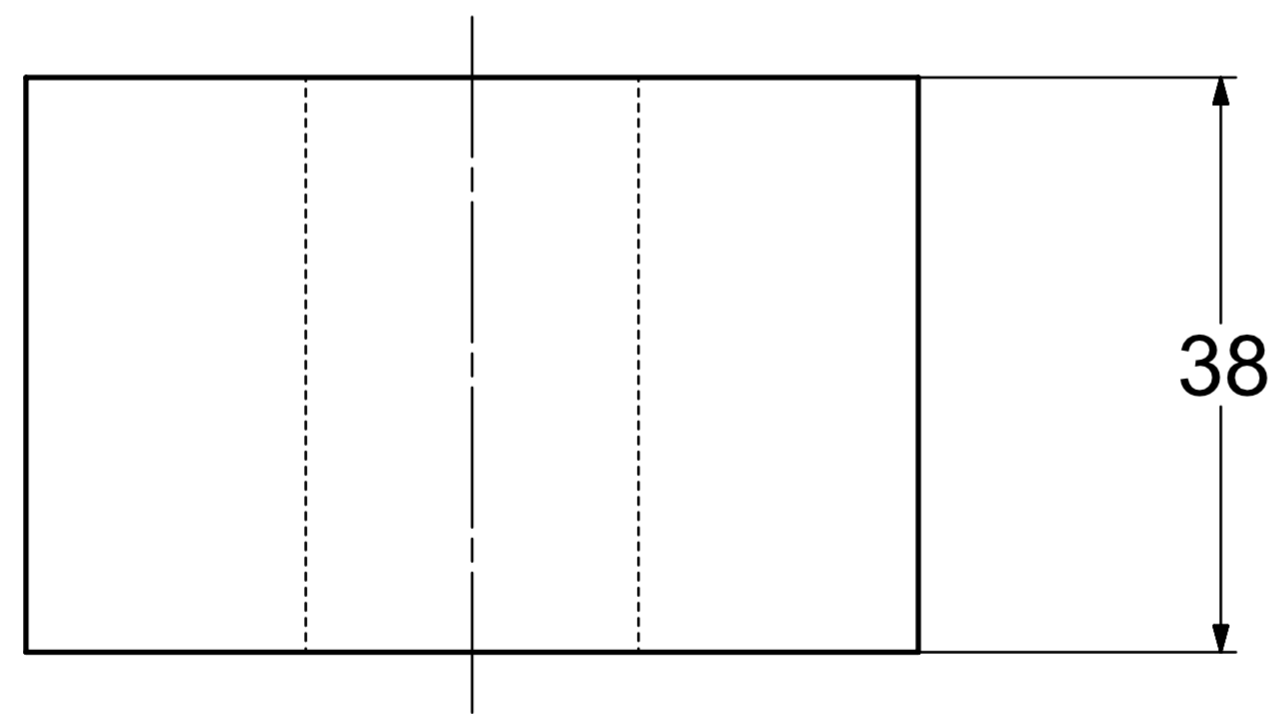
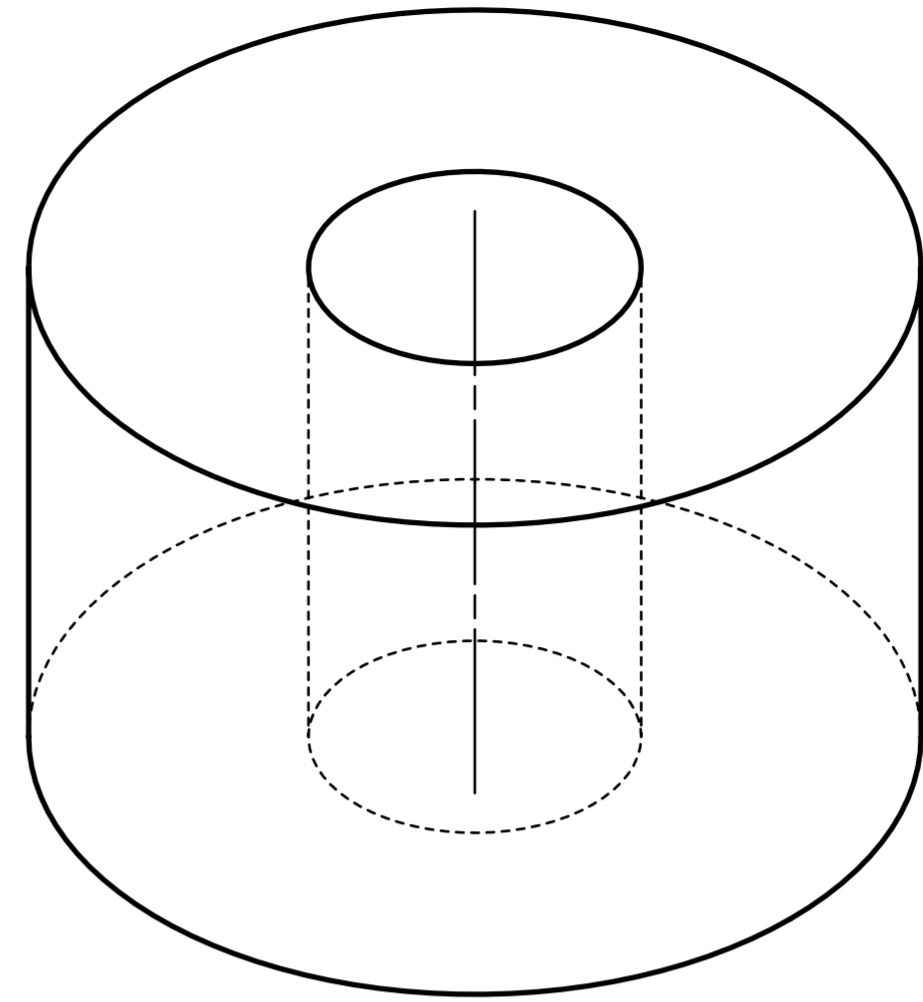
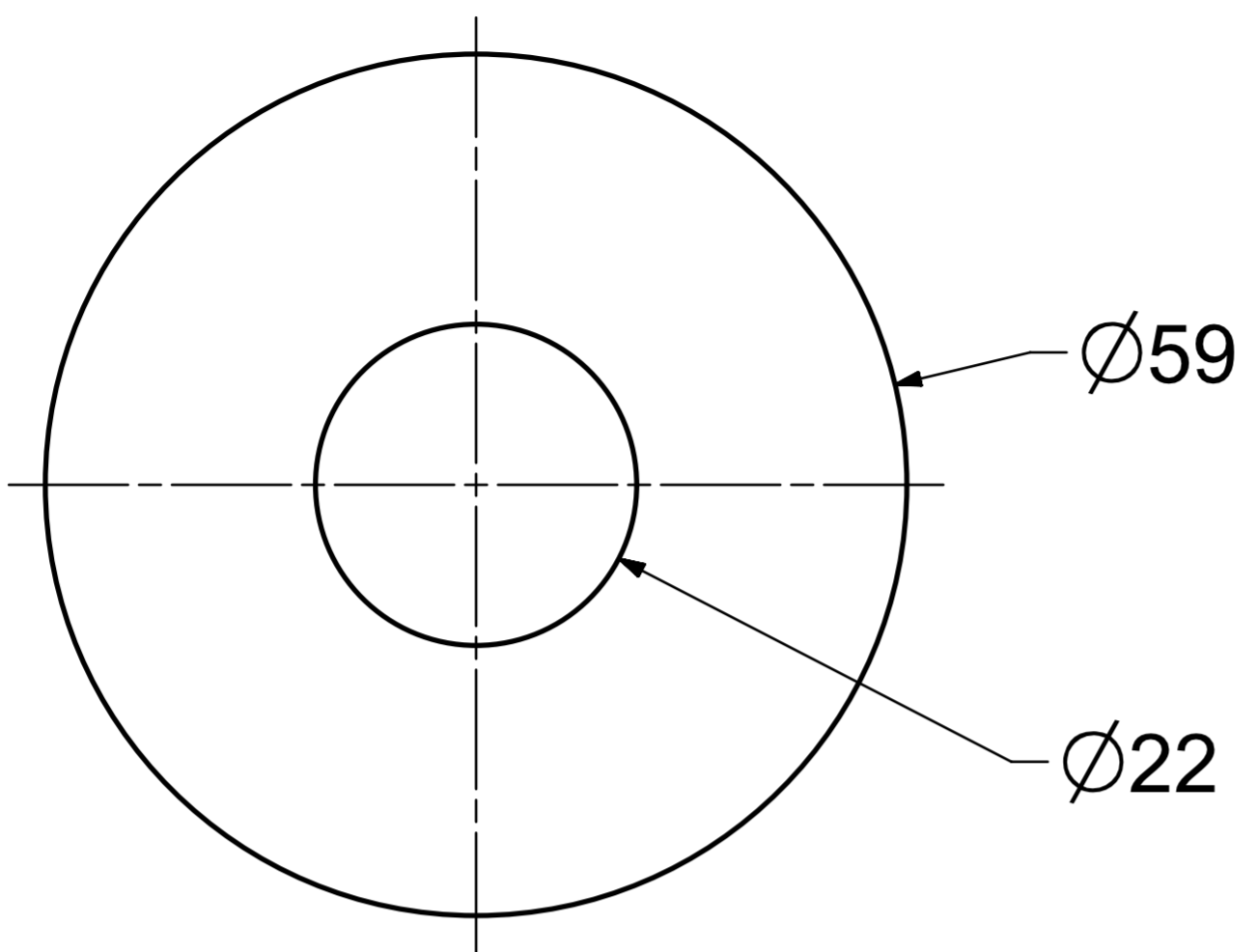
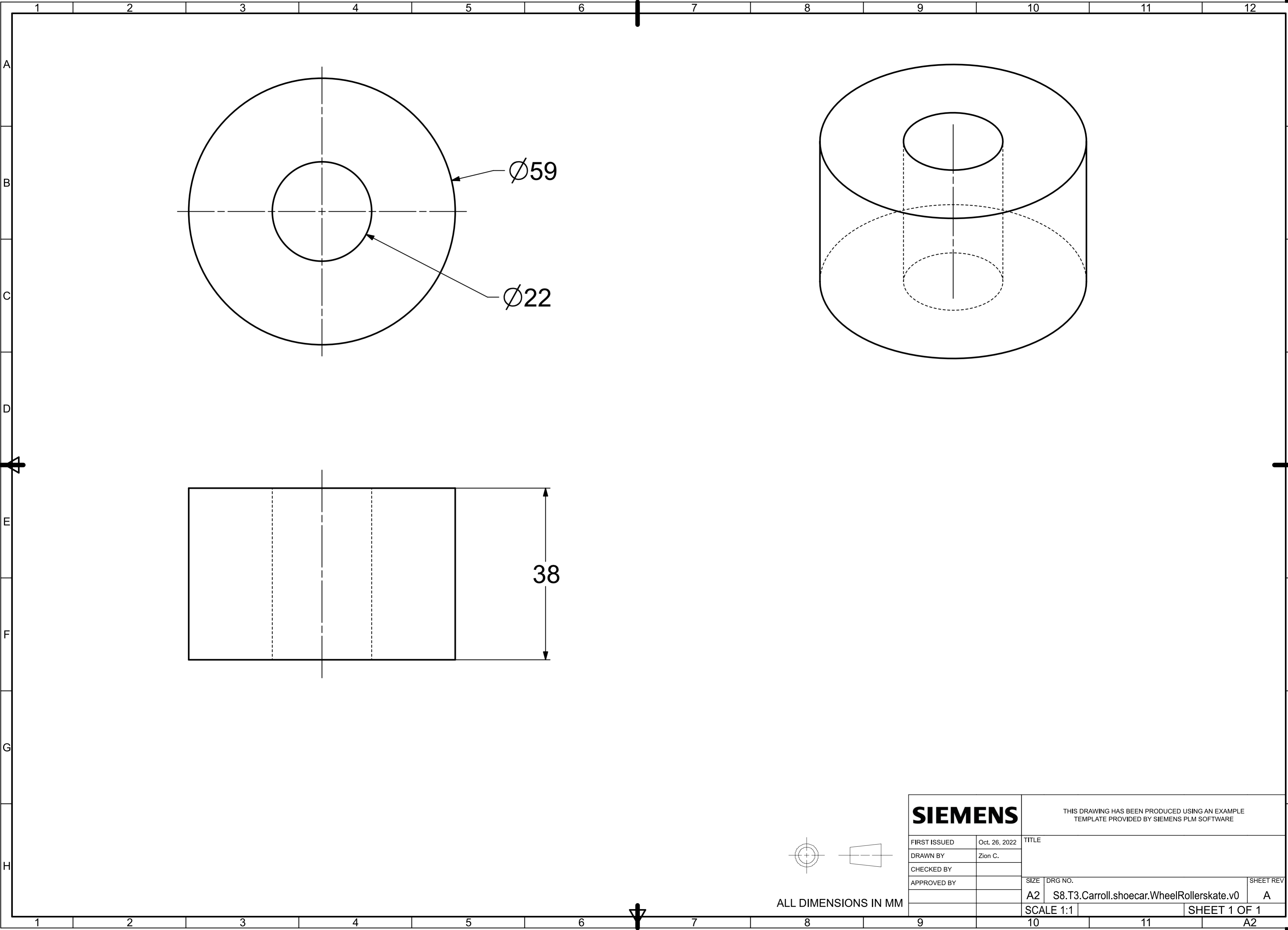
THIS DRAWING HAS BEEN PRODUCED USING AN EXAMPLE  
TEMPLATE PROVIDED BY SIEMENS PLM SOFTWARE

FIRST ISSUED	Oct. 26, 2022
DRAWN BY	Ryan C.
CHECKED BY	
APPROVED BY	

TITLE		SHEET REV	
SIZE	DRG NO.	A	
A2	S8.T3.Cowells.shoecar.Axel.v0	A	

ALL DIMENSIONS IN MM

SCALE 1:1 SHEET 1 OF 1



ALL DIMENSIONS IN MM

<b>SIEMENS</b>		THIS DRAWING HAS BEEN PRODUCED USING AN EXAMPLE TEMPLATE PROVIDED BY SIEMENS PLM SOFTWARE		
FIRST ISSUED	Oct. 26, 2022	TITLE		
DRAWN BY	Zion C.			
CHECKED BY				
APPROVED BY		SIZE	DRG NO.	SHEET REV
		A2	S8.T3.Carroll.shoecar.WheelRollerskate.v0	A
SCALE 1:1			SHEET 1 OF 1	